



MGW DVB

Cost-effective, simple solution for delivering terrestrial and satellite broadcast transmission over IP



MGW DVB

Cost-effective, simple solution for delivering terrestrial and satellite broadcast transmission over IP

Turn-around any type of Terrestrial or Satellite Signal to standard IPTV streams

VITEC's MGW DVB appliance is a professional solution for receiving all major flavors of DVB broadcast content efficiently and distributing over IP to TV's, Computer workstations and to Mobile devices for local and remote users. With content providers increasingly adding High-definition and standard-definition content compressed in MPEG-2 and H.264 – delivery of the content over IP enables IT groups to easily and efficiently distribute content over LANs/WANs while preserving broadcast-quality picture.

Highest economical value with ease of use and reliability required for an enterprise IPTV environment

With up to 128 unique TV channels from a single 1-RU, Conditional Access Support (CAM Cards) and support for the latest DVB-S2/DVB-T2 transmission standards in addition to legacy transmission formats such as DVB-S/ DVB-T / DVB-C – the MGW DVB appliance is the ideal solution for IPTV projects in schools, universities, corporate, stadiums ,hotels and medical facilities.

End-to-End IPTV Solution

MGW-DVB can be used as a stand-alone DVB-to-IP solution or in conjunction with VITEC's EZ TV IPTV Middleware system to provide a turn-key solution for acquiring content, distributing over IP, managing user access rights and even extending the reach to mobile devices. With EZ TV Portal server, IT Teams and/or System Admins installed on the network, the two systems work in harmony to create a turn-key IPTV experience that is quick to install and easy to manage – all from user-friendly browser applications. Users can access content via their workstations, laptops or TV's, content can be filtered by groups or by location and a comprehensive Electronic Programming Guide (EPG) provides complete view of current and future shows for both live TV and for scheduling digital recordings (DVR).





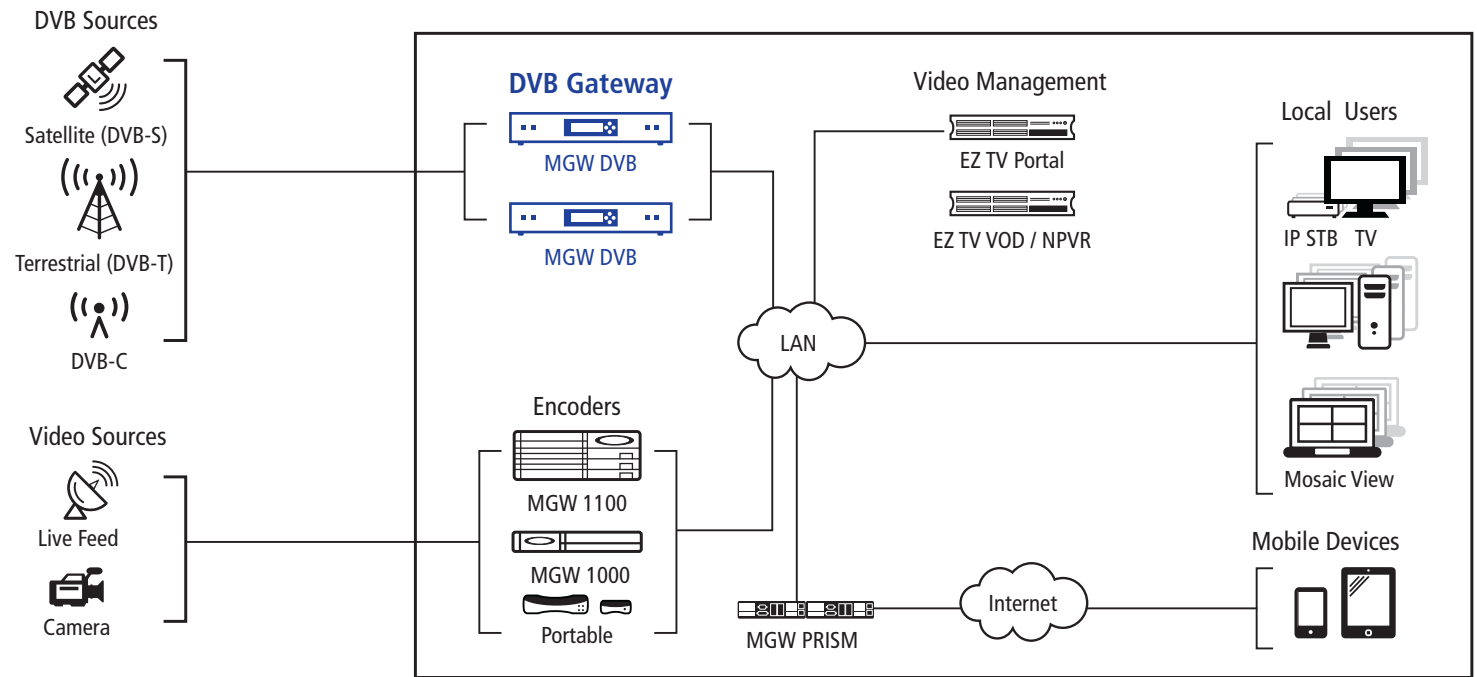
Benefits

- Capture live Terrestrial TV and Satellite TV content and stream directly to your IP network, eliminating the costs associated with IRD's and Encoders for re-encoding
- Retain broadcast-grade HD/SD quality video all the way to TV's, PC Viewers and Mobile Devices
- User-friendly web management application lists all available content and offers quick and easy cherry-picking and IP turnaround workflows
- Built in TS re-multiplexer allowing selection of desired services and regeneration of TS tables
- Integrates with EZ TV IPTV Portal for a turn-key IPTV system, serving all LAN and WAN users
- Offer users DVR and time-shift capabilities with EZ TV VOD Server as well as Transcoding of all TV channels for mobile delivery using MGW Prism

Key Features

- Comprehensive support for all major broadcast standards: DVB-S/S2, DVB-T/T2, DVB-C, ATSC, ASI
- Best-in-class density – 8 x Tuners and up to 128 TV channels per 1RU chassis
- De-scramble encrypted content using standard Conditional Access Modules (CAMs)
- Easy to use HTTP management tool for configuring, managing and monitoring all IPTV services.
- Redundancy power supply

Flow Diagram



Technical Specifications

Source Input

MGW DVB is offered in two configurations: 4xRF Tuners and 8xRF Tuners.

Supports input sources described in the below table:

	DVB-S/S2	DVB-T/T2	DVB-C	ATSC
Connector Type	F-type female 75 Ω	F-type female 75 Ω	F-type female 75 Ω	F-type female 75 Ω
Input Frequency (MHz)	950 to 2150	104 to 862	51 to 862	54 to 864
Input Level	-25 to -65dBm	-20 to -70dBm	51 to 75BμV	-75 to -7
Symbol Rate (MBaud)	2 to 45		1 to 7	10.762
Constellation		QPSK, 16QAM, 64QAM, 256QM (DVB-T2)	16QAM, 32QAM, 64QAM, 128QAM, 256QAM	8VSB

Transport Stream Processing

- MPTS and SPTS input support
- Demux and Remux for IP and CI Inputs via web based management tool
- TS Output Management Demux and Remux for ASI output
- Service and PID filtering, remapping PSI/SI tables, table regeneration, NIT and SDT edition and Re-generation
- Descrambling of DVB Common Scrambling Algorithm (CSA)
- BISS Mode BISS-1, BISS-E
- Common Interface 8 x PCMCIA slots, compatible with major CA CAMs (Viaccess, Iredeto, Nagra, Conax, NDS, PowerCam, Xcrypt)

IP Output (IPTV Streaming)

- Connector Type 1xRJ-45, 1GbE
- Effective Bit Rate: up to total of 400Mb/s (for up to 128 IPTV channels)
- Protocols: UDP / RTP, Multicast / Unicast, IGMPv3, ARP

ASI Output

- Connector Type 8 independence BNC female, 75 Ω, Standard DVB-ASI, EN50083-9
- Output Bit Rate 200Mb/s
- TS Processing 8xASI

Alarm

- Connector Type 1xD-sub 9 male
- Switching Condition User Defined

Management

- Connector Type 1xRJ-45, 100 Base-T, for equipment IP Control
- SNMP, HTTP (Web interface)
- Built-in LCD for local controls and status information
- Field upgradable via Embedded FTP loader, Telnet and HTTP Management Interface
- Serial Port 1xRS-232 D-sub female, for debug use only

Physical

- Dimensions: 44mm H x 255mm D x 430mm W (1.75" H x 10" D x 16.9" W)
- Weight 3.5kg (7.7lb)
- Power Supply AC 90V ~ 250V, 50/60Hz auto-sensing
- Power Consumption: 30W (exclusive of LNB power)
- Operating temperature 0° C to 45° C (32° F to 113° F)
- Storage temperature -10° C to 60° C (14° F to 140° F)
- Operating Humidity 10% - 90%, non-condensed

Environmental

- EMC: EN 55024:1998+A1:2001+A2:2003, EN 55022:2006+A1:2007, EN 61000-3-2:2006, EN 61000-3-3:2008
- FCC: Part 15 Class B
- LVD: EN 60950-1:2006 + A11:2009

Supported CAM Cards

- Common Interface 8 x PCMCIA slots, compatible with major CA CAMs (Viaccess, Iredeto, Nagra, Conax, NDS, PowerCam, Xcrypt)

USA, Georgia

2200 Century Parkway,
NE Suite 900
ATLANTA, GA 30345-3150,
USA
T: +1-(404)-320-0110
E: atlanta@vitec.com

USA, California

931 Benecia Avenue
SUNNYVALE, CA 94085,
USA
T: +1-(800)-451-5101
E: sunnyvale@vitec.com

FRANCE

99 rue Pierre Semard
92324 CHATILLON Cedex,
France
T: +33-(0)1-46-73-06-06
E: france@vitec.com

GERMANY

Lise-Meitner-Str.15
24223 SCHWENTINENTAL,
Germany
T: +49-(0)4307-8358-0
E: germany@vitec.com

UNITED KINGDOM

LONDON, UK
T: +44-79-71-54-25-21
E: uk@vitec.com

ISRAEL

11 Galgalei Haplada St.
HERZLIYA, 4672211, Israel
T: +972-(0)9-9709-200
E: israel@vitec.com

CHINA

BEIJING, P.R. China
T: +86-(0)10-5172-7086
E: china@vitec.com