

Extensor Family Mini-Converters



HDMI2SDI



ANA2SDI



SDI2HDMI



SDI2ANA

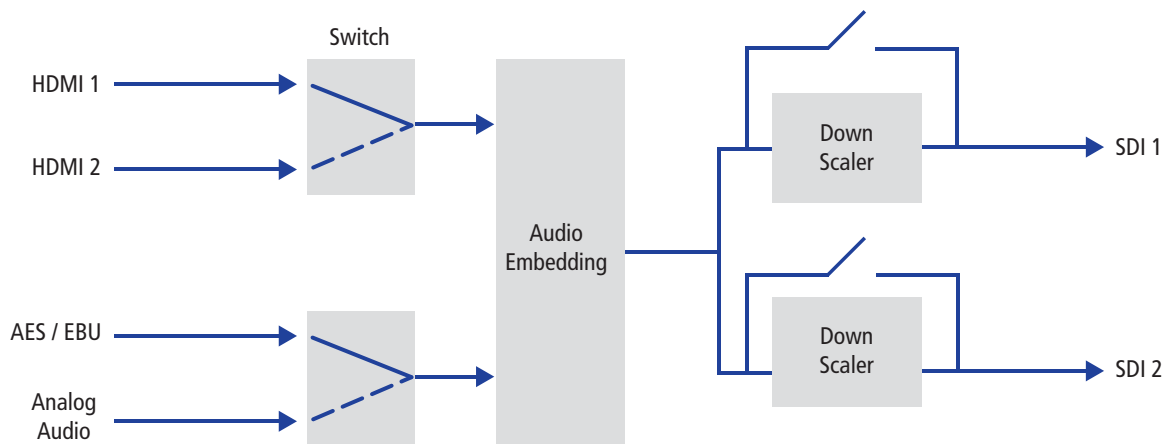
Our extensive experience in designing products for digital video applications, such as MPEG encoders & decoders, has given us the foundation to build converters that meet your demands perfectly.

Extensor HDMI2SDI: HDMI to HD-SDI converter

HDMI supports 12 bits full depth acquisition. The two HD-SDI outputs can drive two different devices, at the same or different resolutions (1080p & 720p). All status information (video signal detected, resolution etc.) are overlaid on the video output signal. An embedded standardized colorbar pattern allows equipment calibration.

TECHNICAL SPECIFICATIONS

HDMI2SDI		
VIDEO	Input	Output
Inputs	2x HDMI with embedded audio (up to 4 pairs)	2x HD-SDI (3Gb/s) for redundant output Downscaling available for each output (progressive > progressive or interlaced > interlaced or interlaced > progressive) SDI Compliance: SMPTE-259M, SMPTE-292M, SMPTE-424M & SMPTE-425-A
CONVERSION	Input	Output
Video	1x HDMI (v1.3)	2x HD-SDI (BNC)
Audio	1x Stereo unbalanced audio (jack 6.35) 1x Digital audio AES / EBU (jack 6.35) 1x Digital audio embedded in HDMI	1x Embedded audio in SDI (up to 4 pairs)
FRAME RATES SUPPORTED	1080p at 23.98 / 24 / 25 / 29.97 / 30 / 50 / 59.94 / 60 frames by second 1080i at 25 / 29.97 / 30 frames by second 720p at 50 / 59.94 / 60 frames by second 576p, 480p, 576i, 480i at 25 / 29.97 frames by second	



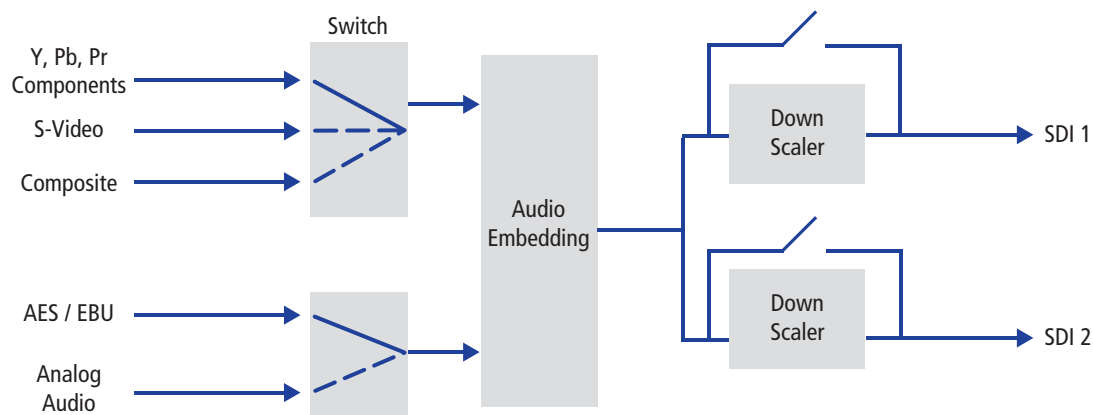
Extensor ANA2SDI: Analog to HD-SDI converter

The two HD-SDI outputs can simultaneously drive two different devices simultaneously at same or at different resolution (1080p & 720p). All status information (video signal detected, resolution etc.) are overlaid on the video output signal. An embedded standardized colorbar pattern allows equipment calibration.

TECHNICAL SPECIFICATIONS

ANA2SDI

VIDEO	Input	Output
Inputs	1x YUV (3 BNC) 1x S-video (2 BNC) 1x Composite (1 BNC)	2x HD-SDI (3Gb/s) for redundant output Downscaling available for each output (progressive > progressive or interlaced > interlaced or interlaced > progressive) SDI Compliance: SMPTE-259M, SMPTE-292M, SMPTE-424M & SMPTE-425-A
CONVERSION	Input	Output
Video	1x YUV 1x S-video	2x HD-SDI (BNC)
Audio	1x Stereo unbalanced audio 1x Digital audio AES / EBU	1x Embedded audio in SDI (stereo)
FRAME RATES SUPPORTED	1080p at 23.98 / 24 / 25 / 29.97 / 30 / 50 / 59.94 / 60 frames by second 1080i at 25 / 29.97 / 30 frames by second 720p at 50 / 59.94 / 60 frames by second 576p, 480p, 576i, 480i at 25 / 29.97 frames by second	



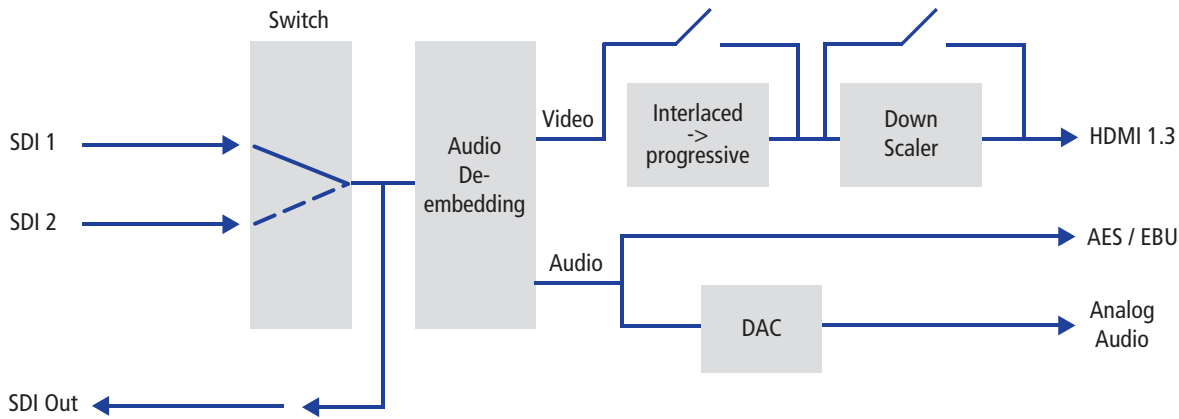
Extensor SDI2HDMI: HD-SDI to HDMI converter

All status information (video signal detected, resolution etc.) are overlaid on the video output signal. An embedded standardized colorbar pattern allows equipment calibration.

TECHNICAL SPECIFICATIONS

SDI2HDMI

VIDEO	Input	Output
Inputs	2x HD-SDI (3 Gb/s) with embedded audio (up to 8 pairs) SDI Compliance: SMPTE-259M, SMPTE-292M, SMPTE-424M & SMPTE-425-A	1x HD-SDI (3Gb/s) loop through 1x HDMI out with embedded audio Downscaling available for each output (progressive > progressive or interlaced > interlaced or interlaced > progressive) 1x DVI-D out using an adaptor HDMI to DVI-D (not included in the package)
CONVERSION	Input	Output
Video	1x HD-SDI (BNC)	1x HD-SDI (BNC) 1x HDMI (v1.3)
Audio	1x Embedded audio in SDI (up to 4 pairs)	1x Stereo unbalanced audio 1x Digital audio AES / EBU 1x Embedded audio in HDMI
FRAME RATES SUPPORTED	1080p at 23.98 / 24 / 25 / 29.97 / 30 / 50 / 59.94 / 60 frames by second 1080i at 25 / 29.97 / 30 frames by second 720p at 50 / 59.94 / 60 frames by second 576i, 480i at 25 / 29.97 frames by second	



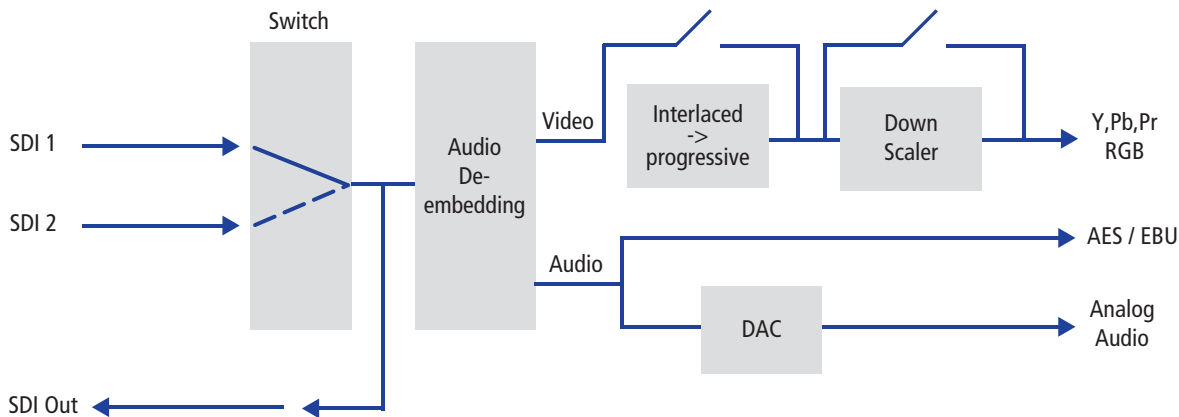
Extensor SDI2ANA: HD-SDI to Analog converter

All status information (video signal detected, resolution etc.) are overlaid on the video output signal. An embedded standardized colorbar pattern allows equipment calibration.

TECHNICAL SPECIFICATIONS

SDI2ANA

VIDEO	Input	Output
Inputs	2x HD-SDI (3 Gb/s) with embedded audio (up to 8 pairs) SDI Compliance: SMPTE-259M, SMPTE-292M, SMPTE-424M & SMPTE-425-A	1x Analog 1x HD-SDI (3Gb/s) loop through Downscaling available for each output (progressive > progressive or interlaced > interlaced or interlaced > progressive)
CONVERSION	Input	Output
Video	1x HD-SDI (BNC)	1x YUV (3 BNC) 1x RGB (3 BNC)
Audio	1x Embedded audio in SDI (up to 4 pairs)	1x Stereo unbalanced audio 1x Digital audio AES / EBU
FRAME RATES SUPPORTED	1080p at 23.98 / 24 / 25 / 29.97 / 30 / 50 / 59.94 / 60 frames by second 1080i at 25 / 29.97 / 30 frames by second 720p at 50 / 59.94 / 60 frames by second 576i, 480i at 25 / 29.97 frames by second	



USA, Georgia
2200 Century Parkway,
NE Suite 900
ATLANTA, GA 30345-3150,
USA
T: +1-(404)-320-0110
E: atlanta@vitec.com

USA, California
931 Benecia Avenue
SUNNYVALE, CA 94085,
USA
T: +1-(800)-451-5101
E: sunnyvale@vitec.com

FRANCE
99 rue Pierre Semard
92320 CHATILLON,
France
T: +33-(0)1-46-73-06-06
E: france@vitec.com

GERMANY
Lise-Meitner-Str.15
24223 SCHWENTINENTAL,
Germany
T: +49-(0)4307-8358-0
E: germany@vitec.com

UNITED KINGDOM
LONDON, UK
T: +44-79-71-54-25-21
E: uk@vitec.com

ISRAEL
11 Galgalei Haplada St.
HERZLIYA, 4672211, Israel
T: +972-(0)9-9709-200
E: israel@vitec.com

CHINA
BEIJING, P.R. China
T: +86-(0)10-5172-7086
E: china@vitec.com